

Industry

Pallets

*Hygienic, solid, light and easy to handle,
but most of all economical.*

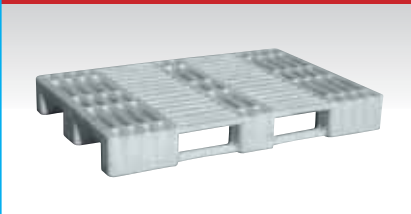
They find application in myriad sectors of industry thanks to their solid construction, light weight, and ease of handling. They are ideal for food industry applications since they are hygienic, mold and damp-proof, and suitable for use in refrigerated storage areas. Easy to clean and maintenance-free.

Made of PE-HD.
Durable and resistant to heavy loads.
Non-toxic: suitable for food products.
Unalterable by chemical and atmospheric agents.
Resistant to temperature extremes. No weight loss or shrinkage.

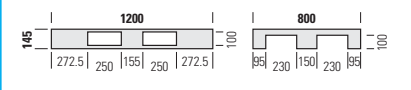
Economic Advantage:
faster amortization of the higher initial cost, since there are no maintenance or repair expenses. The plastic pallet does not depreciate in value.



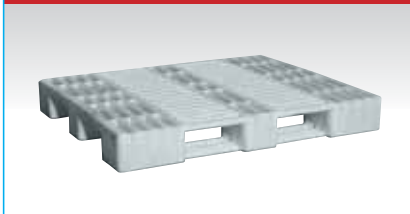
1429 A



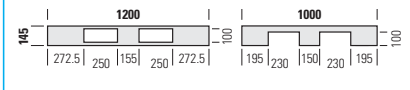
External dimensions (mm)	1200x800x145
Dynamic load (Kg)	1000
Static load (Kg)	4300
Load on rack (Kg) *	300
Weight (Kg)	12.5
Colour	white



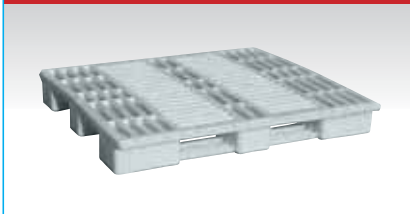
1429 B



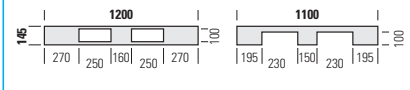
External dimensions (mm)	1200x1000x145
Dynamic load (Kg)	1200
Static load (Kg)	4500
Load on rack (Kg) *	300
Weight (Kg)	15.5
Colour	white



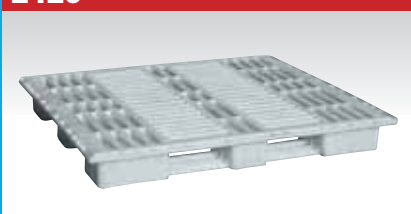
1429 C



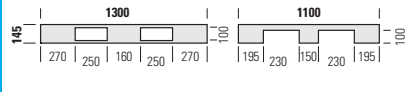
External dimensions (mm)	1200x1100x145
Dynamic load (Kg)	1200
Static load (Kg)	4500
Load on rack (Kg) *	300
Weight (Kg)	16.5
Colour	white



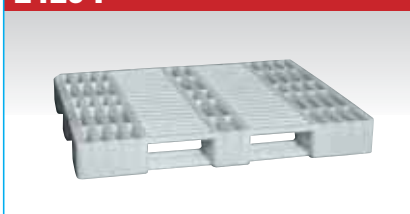
1429



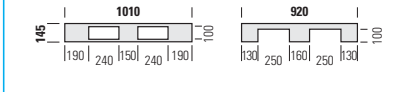
External dimensions (mm)	1300x1100x145
Dynamic load (Kg)	1200
Static load (Kg)	4500
Load on rack (Kg) *	300
Weight (Kg)	17
Colour	white



1429 F



External dimensions (mm)	1010x920x145
Dynamic load (Kg)	1000
Static load (Kg)	4000
Load on rack (Kg) *	300
Weight (Kg)	12
Colour	white



Material: high density polyethylene (PE-HD).
 Excellent resistance to shocks, stacking, temperature extremes, ultraviolet rays.
 Non-toxic for food industry use.
 Suitable for handling with fork lifts, lifting trucks and all types of tipping devices.
 May be customised with the customer's impression or logo.

Available on request subject to minimum order quantity of 2000 pieces.

Dimensional tolerances ± 10 mm
 Tolerance on weight $\pm 2\%$

* Only on two supports without section breaker: please always apply to Capp-Plast for information.

Tests were run at a temperature of 23° C and the boxes were not exposed to direct sun rays.
 Weights, characteristics and dimensions can be changed without previous notice. These data invalidate and supersede the previous ones.

It is advisable to consult the www.capp-plast.com web site for **indications about safe use and handling of the Capp Plast containers.** Compliance with these rules makes the Capp Plast containers suitable for rational, safe use and, consequently, ensures their longer life.



