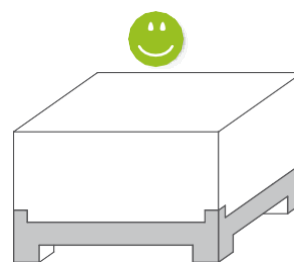
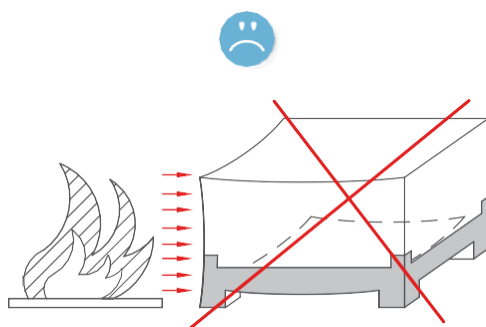


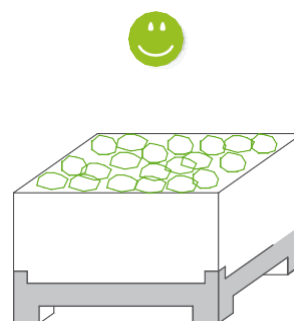
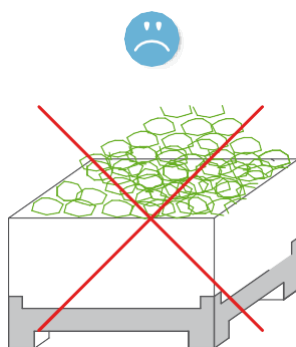
1

Keep the container away from naked flames and sources of heat



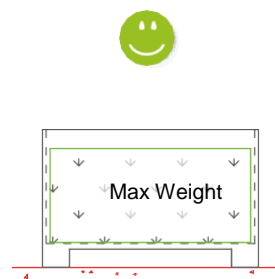
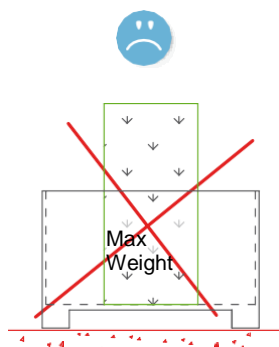
2

Do not EXCEED the load declared by the manufacturer



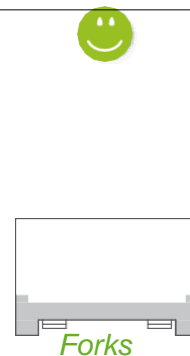
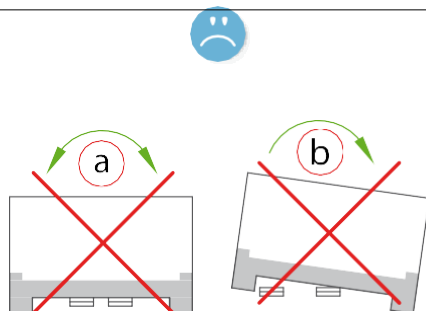
3

Distribute the load EVENLY on the surface of the base



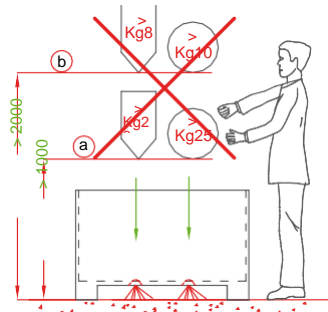
4

When used with forklift trucks, maximise the width of the blades

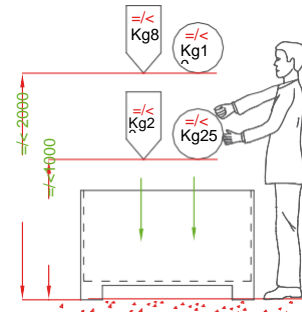


5

Avoiding the falling of objects from excessive heights

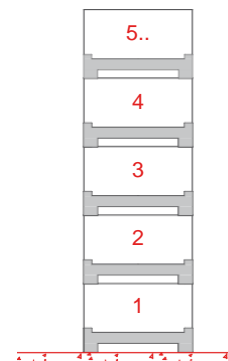
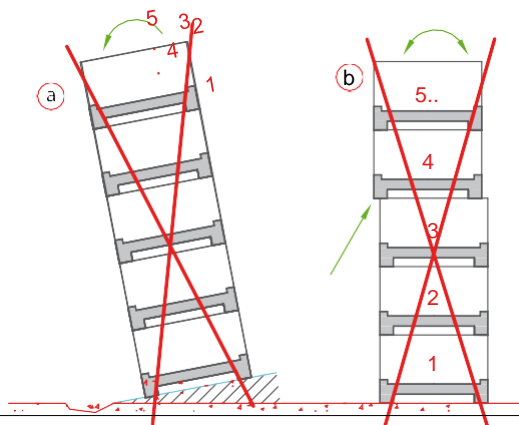


Falling of weights



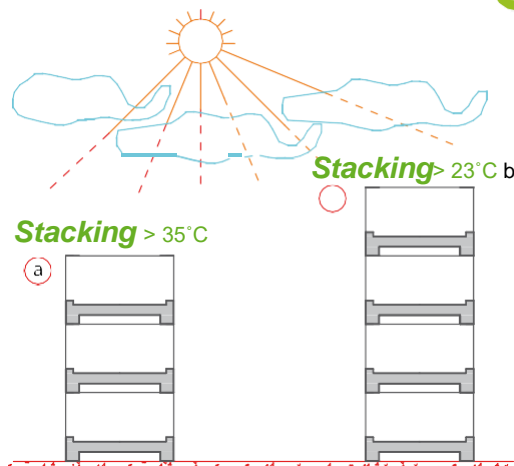
6

When the containers are stacked up check that:
They are resting on a surface that is flat and without holes
They are correctly stacked

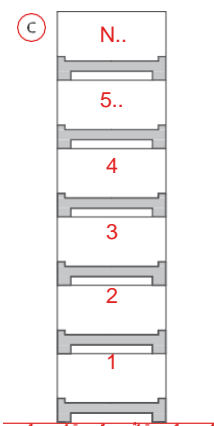


7

Reduce the height and the load according to the external temperature

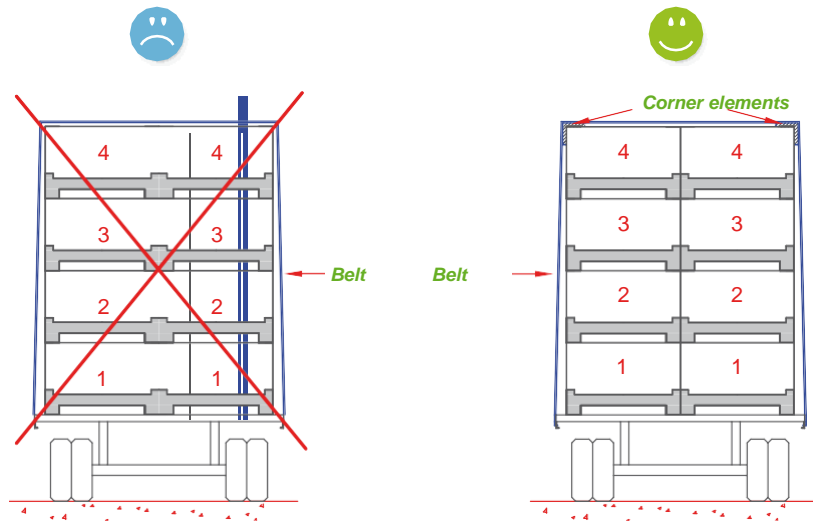


Stacking =< 23°C



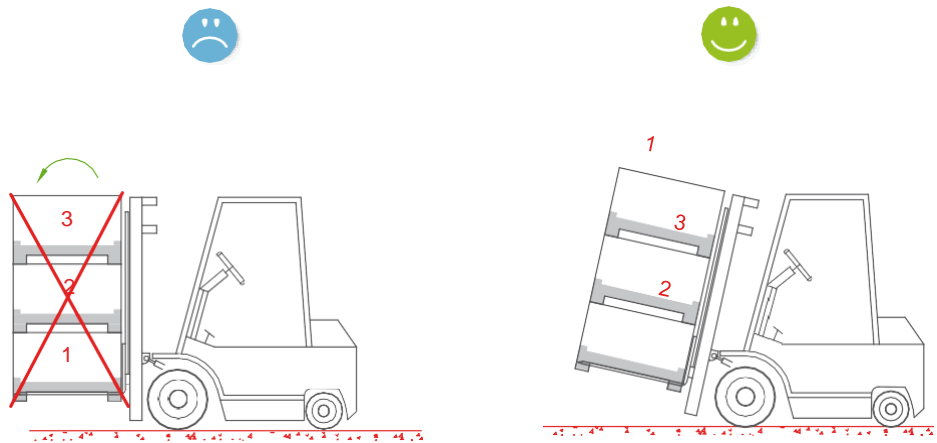
8

For transportation on trucks use corner elements



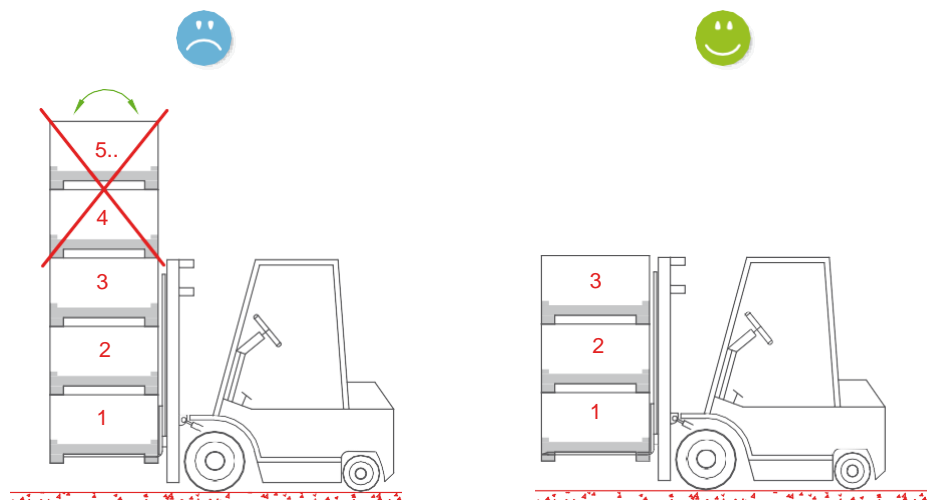
9

During the handling of containers, tilt the forklift truck upright in the direction of travel



10

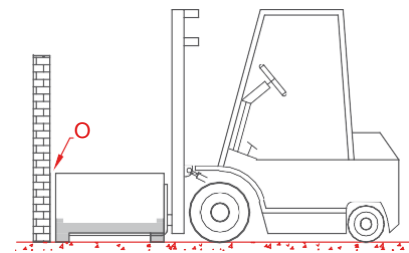
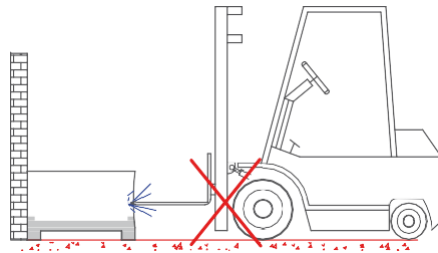
The height of the stack being transported during the handling phase must not exceed the height of the forklift truck



11

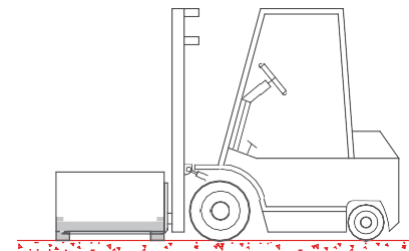
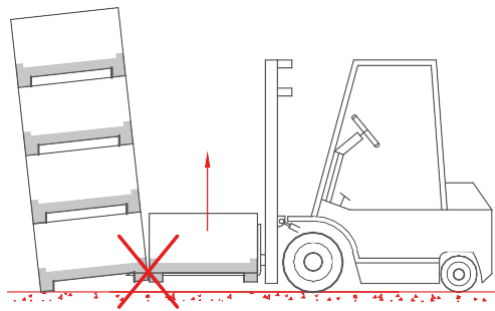


Avoid impact against the containers with the tips of the forklift truck



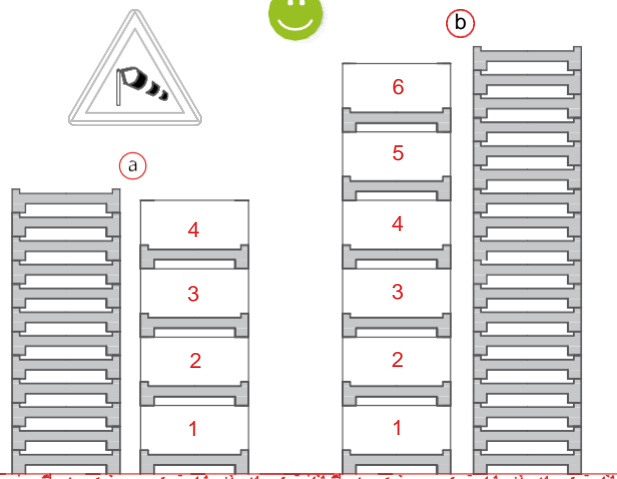
12

Make sure that the blades of the forklift truck are of an adequate length with respect to the container being used



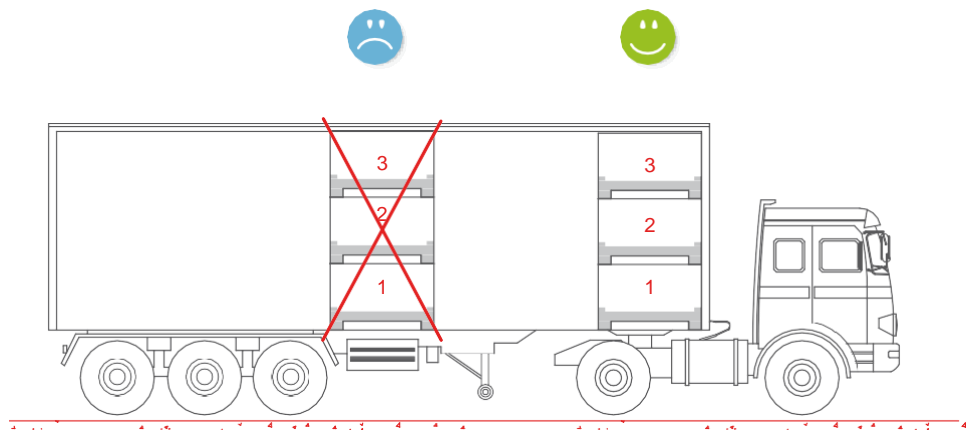
13

In environments subject to strong gusts of wind, decrease the height of the stacked containers



14

To avoid "INERTIAL" collisions, do not place the containers in the centre of the truck (without any support), but instead close to the driver's cab



15

Open containers must not be thrown or overturned; they must be manoeuvred with the appropriate means

